

Viega Advantix

Triple Inlet, Straightforward Assembly.

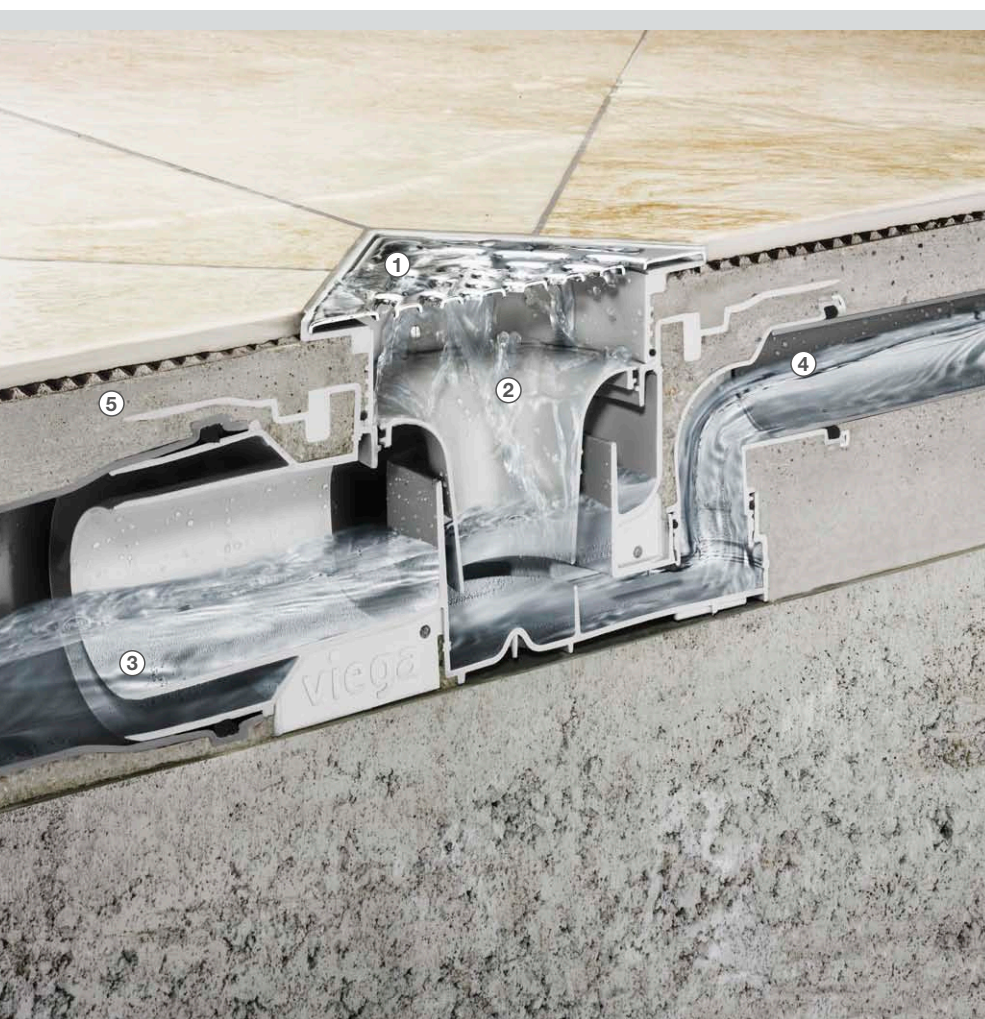


Viega Advantix Floor Drain

Combined Drainage Capacity for Bath and Floor.

The new Viega Advantix floor drain is a high-quality and cost-effective solution for waste-water disposal in commercial and residential construction projects. Three inlets, rotatable through 180°, also allow for flow-optimised and straight pipe layout without the need for additional connection bends. As a result, waste-water from the shower, bathtub and washstand can be

combined and drained centrally via the floor drain at a drainage capacity of up to 1.4 l/s. An integrated sealing flange provides additional security and prevents moisture damage. The minimum installation height in sunken floor can be 150 mm.



Drainage capacity (litre/s)

Connection DN 70/DN 100	Inlet via	
	Grate	Inlet DN 50
via the grate	1.4	
via an inlet without grate		2.0
via two inlets without grate		2 x 1.0
via three inlets without grate*		0.8
via the grate and an inlet	1.1	0.4
via the grate and two inlets	0.8	0.5
via the grate and three inlets*	0.8	0.3

* for a total installation height of 175 mm to the top of the grate

- 1 Attachment with stainless steel grate.
- 2 Removable odour trap.
- 3 Discharge nozzle DN 70/100.
- 4 3 DN 50 inlets, rotatable by 180°.
- 5 Sealing flange floor attachment.

Uncompromising quality

The Viega Advantix floor drain is made of high-quality polypropylene (PP) and is manufactured using 100% new granulate. This makes it robust, thermally stable and resistant to chemicals and cleaning agents. The material is also 100% recyclable and meets the highest standards of quality and environmental compatibility.

Convenient and safe

With a head water level of 50 mm, the special design of the Advantix floor drain offers reliable protection against unpleasant odours and penetration by insects. The odour trap is also easy to remove and refit for maintenance and cleaning.

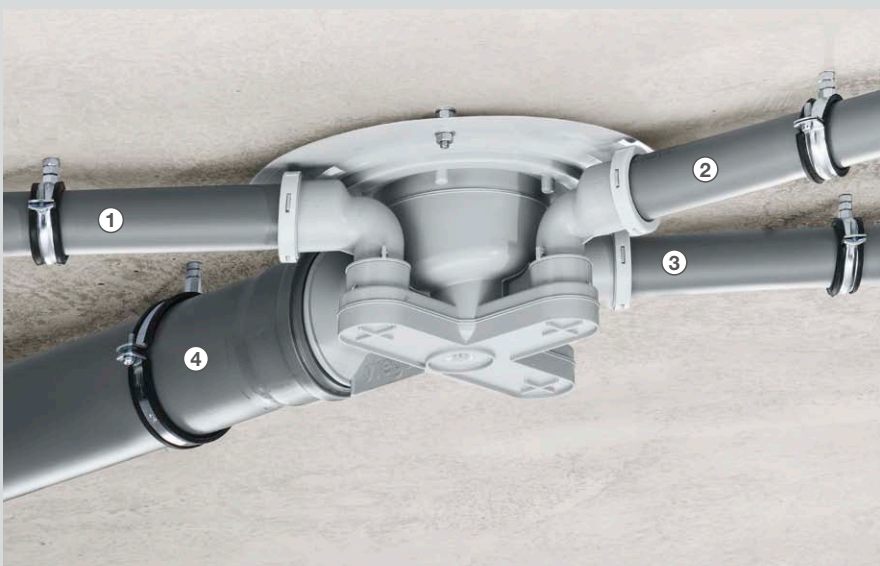
Viega Advantix Floor Drain For Installation on and under Bare Concrete Floors.

Simple and quick to install, it can be fitted on or under bare concrete floors. The attachment for the Advantix floor drain can be shortened and adjusted to the screed height using a hack saw.



Installation on bare concrete floors

1. Connection for the bathtub.
2. Connection for the kitchen sink.
3. Waste pipe.



Installation under bare concrete floors

1. Connection for the kitchen sink.
2. Connection for the washstand.
3. Connection for the bathtub.
4. Waste pipe.

Advantix Accessories Designed to Cope with all Requirements.

Sophisticated – also when it comes to design

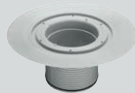
The Advantix floor drain is supplied with a high-quality grate made of stainless steel 1.4301, which meets the highest design standards. It can also be combined with a large number

of accessories and design grates from the Advantix modular system, thus enabling it to be individually adapted. This not only ensures that all waste-water is safely drained away, but also that the needs of your customers are met.



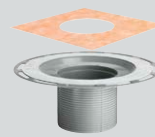
4996

Advantix height equalisation piece, for height adjustment from 45–100 mm, with backflow seal.



4996.1

Advantix stacking element, with sealing flange, stopper and back-flow seal.



4994

Advantix stacking element, for bonded sealing with liquid foil or sealing mats, with structural protection and Schlüter-KERDI-sealing collar.



4998.3

Advantix sealing collar, for connection by means of hot-air or open-flame welding, stainless steel clamping ring, sealing collar made of EPDM 500 x 500 with fibreglass inlay, with bitumen undercoating.



4923.1

Advantix sieve insert



4976.21

Advantix Visign RS5 grate

Channel Partner

HINDUSTAN PIPE SALES CORPORATION
319, SYNDICATE HOUSE, INDERLOK, NEW DELHI -110035
www.hindustanpipes.com

Tel - 011-45075768

Email : hindustan.pipes@gmail.com

